



Applications

Designed for use with Dudley Vantage and Miniflo concealed cisterns and Illusion A and V frames.

Water Saving

Dual flush operation provides reduced flush for enhanced water saving.

Features

- ~ Available in polished chrome, matt black, brushed nickel and satin brass finishes
- ~ Smooth pneumatic operation
- ~ Can be positioned up to 250mm from the cistern.



Chrome



Matt Black

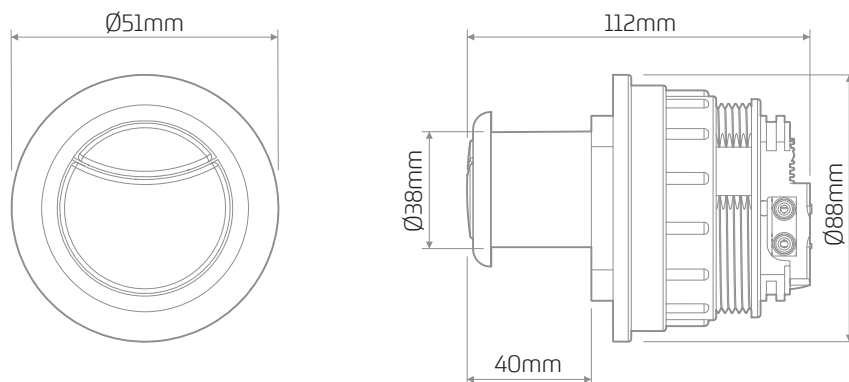


Brushed Nickel



Satin Brass

Dimensional Data



Technical Data

Wall Thickness	12-32mm
Installation Aperture	Ø40mm hole
Fixing Type	Locking Collet
Button Operation	Pneumatic
Flush Option	Dual Flush